



RCYA3

3" LED ARCHITECTURAL CYLINDER

JOB INFORMATION

Type: _____
 Catalog No: _____
 Project Name: _____
 Comments: _____
 Prepared by: _____

RCYA3

USE OF PRODUCT

The RCYA Series may be used in hospitality, commercial, retail, and residential interior applications. This series is available in two sizes (RCYA6 & RCYA3) and is wattage selectable, color temperature selectable, and beam angle selectable. Optional filters available upon request. Multiple mounting options: Surface mount, adjustable surface mount, cord mount, pendant mount.

RCYA3 FEATURES

- Wattage selectable: 13W, 19W, 25W
- Color temperature selectable: 2700K, 3000K, 3500K, 4000K, 5000K
- Beam angle selectable: 18° to 50°
- Knife edge appearance
- Made to order finish available upon request

HOUSING

Rugged aluminum housing to effectively and passively remove heat from LED.

LED ENGINE

Color temperature selectable 90 CRI LEDs

DRIVER

- 0-10V (120V-277V) dimming driver with range of 1% - 100%.
- Driver power factor >0.9, THD <20%
- Operating Temperature Range: -20°C - 40°C (-4°F-104°F)

EMERGENCY BATTERY

May utilize remote 8W/ emergency battery with a remote test switch. Ceiling access is required to replace the em unit

BEAM ANGLE & FILTERS

Beam angle is continuously adjustable from 18° to 50° degrees with preset stops at 18°, 24°, 36°, and 50°. Optional linear lens, honeycomb louver, and soft optics available upon request. (Lumens decrease)

MOUNTING

Surface mount, adjustable surface mount (for wall or ceiling), cord mount, and pendant mount.

LABELS/COMPLIANCE/WARRANTY

- UL certified
- 5-year limited warranty.



ORDERING INFORMATION

| Series | Wattage | Voltage | Color Temperature | Beam Angle | Filter |
|--------|---|---------------------------------------|--|-------------------------------------|---|
| RCYA3 | WS25 - Wattage Selectable (13W, 19W, 25W) L13W - Locked at 13W L19W - Locked at 19W L25W - Locked at 25W | UNV - 120-277V (0-10V Dimming) | 5CTS - (2700K, 3000K, 3500K, 4000K, 5000K) L27K - Locked at 2700K L30K - Locked at 3000K L35K - Locked at 3500K L40K - Locked at 4000K L50K - Locked at 5000K | BA1850 - 18°- 50° Adjustable | None - Included L - Linear H - Honey Comb S - Softening Lens |

| Reflector Finish | Cylinder Finish | Mounting | Options |
|--|--|--|--|
| W - White B - Black MTO - Made to Order | W - White B - Black MTO - Made to Order | <p>Stem</p> <p>PH3SC1W¹ - 1 ft White Stem Pendant with Shallow Canopy PH3SC1B¹ - 1 ft Black Stem Pendant with Shallow Canopy PH3SC2W¹ - 2 ft White Stem Pendant with Shallow Canopy PH3SC2B¹ - 2 ft Black Stem Pendant with Shallow Canopy PH3DC1W¹ - 1 ft White Stem Pendant with Deep Canopy PH3DC1B¹ - 1 ft Black Stem Pendant with Deep Canopy PH3DC2W¹ - 2 ft White Stem Pendant with Deep Canopy PH3DC2B¹ - 2 ft Black Stem Pendant with Deep Canopy</p> <p>Adjustable Stem</p> <p>PH3SC1WADJ¹ - 1 ft White Stem Pendant, Adjustable Fixture, Shallow Canopy PH3SC1BADJ¹ - 1 ft Black Stem Pendant, Adjustable Fixture, Shallow Canopy PH3SC2WADJ¹ - 2 ft White Stem Pendant, Adjustable Fixture, Shallow Canopy PH3SC2BADJ¹ - 2 ft Black Stem Pendant, Adjustable Fixture, Shallow Canopy PH3DC1WADJ¹ - 1 ft White Stem Pendant, Adjustable Fixture, Deep Canopy PH3DC1BADJ¹ - 1 ft Black Stem Pendant, Adjustable Fixture, Deep Canopy PH3DC2WADJ¹ - 2 ft White Stem Pendant, Adjustable Fixture, Deep Canopy PH3DC2BADJ¹ - 2 ft Black Stem Pendant, Adjustable Fixture, Deep Canopy</p> <p>Cord</p> <p>CP3SW - White Cord Pendant with Shallow Canopy CP3SB - Black Cord Pendant with Shallow Canopy CP3DW - White Cord Pendant with Deep Canopy CP3DB - Black Cord Pendant with Deep Canopy</p> <p>Surface</p> <p>SM3SW - White Surface Mount with Shallow Canopy SM3SB - Black Surface Mount with Shallow Canopy SM3DW - White Surface Mount with Deep Canopy SM3DB - Black Surface Mount with Deep Canopy</p> <p>Adjustable Surface</p> <p>ASCW² - White Adjustable Surface Mount ASCB² - Black Adjustable Surface Mount</p> | <p>SP1W¹ - 1 ft White Stem Pendant SP1B¹ - 1 ft Black Stem Pendant SP2W¹ - 2 ft White Stem Pendant SP2B¹ - 2 ft Black Stem Pendant ER8W - 8W Emergency Battery with Remote Test Switch</p> <p>Notes</p> <p>1. 1ft and 2ft stems are linkable up to 12 ft. Consult factory for made to order lengths. 2. Can be extended with stem pendant</p> |



RCYA3

3" LED ARCHITECTURAL CYLINDER

PERFORMANCE CHART

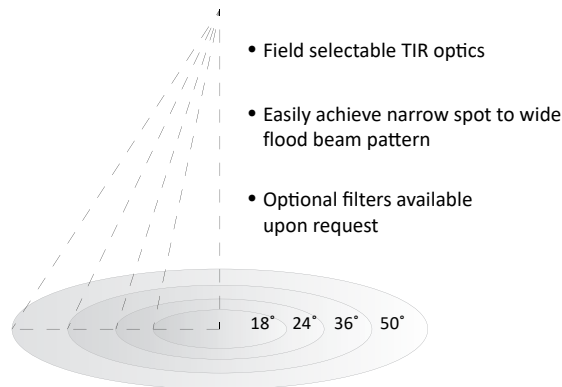
| | Optics | 18° | 24° | 36° | 50° |
|-----|------------------|------|------|------|------|
| 13W | Delivered Lumens | 1322 | 1375 | 1414 | 1386 |
| 19W | Delivered Lumens | 1880 | 1934 | 1973 | 1945 |
| 25W | Delivered Lumens | 2360 | 2462 | 2535 | 2483 |

* Values are listed at 3000K, 90+ CRI with a white bevel & trim.

COLOR TEMPERATURE MULTIPLIER FOR DELIVERED LUMENS

| 2700K | 3000K | 3500K | 4000K |
|-------|-------|-------|-------|
| 0.95 | 1.00 | 1.04 | 1.07 |

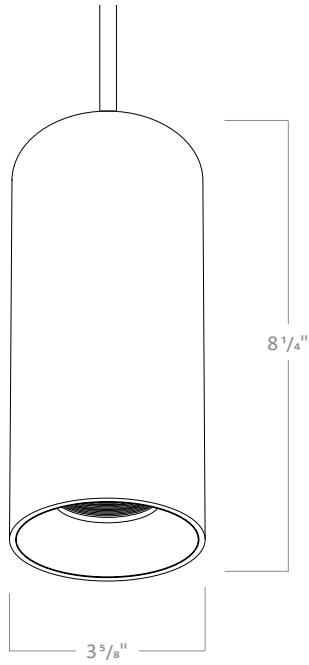
BEAM SPREAD



RCYA3

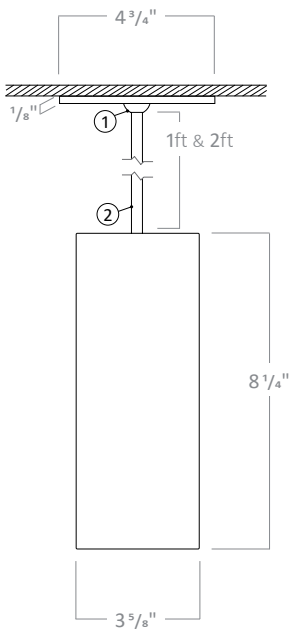
3" LED ARCHITECTURAL CYLINDER

RCYA3 DIMENSIONS

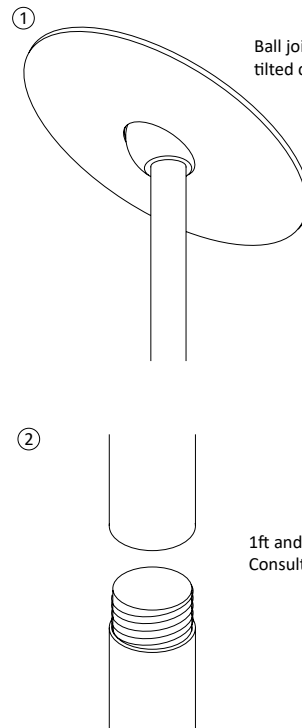
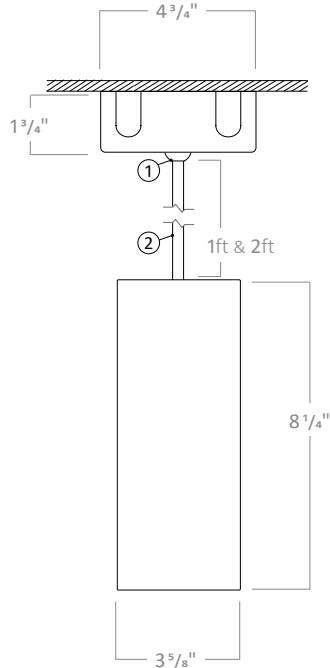


STEM PENDANT

**PH3SC1W, PH3SC1B,
PH3SC2W, PH3SC2B**
Stem Pendant with
Shallow Canopy



**PH3DC1W, PH3DC1B,
PH3DC2W, PH3DC2B**
Stem Pendant with
Deep Canopy



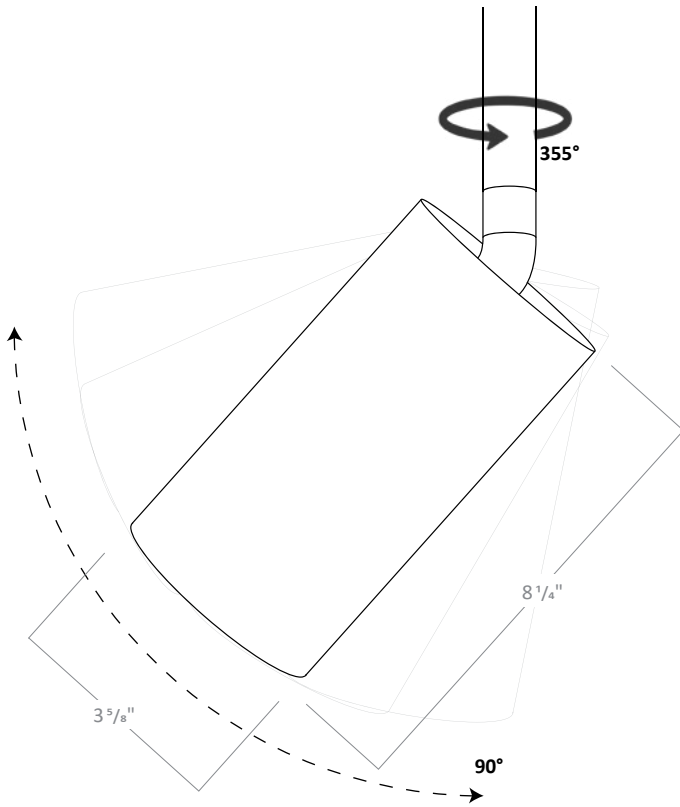
Ball joint allows for installation on tilted ceiling (0 - 60°)

1ft and 2ft stems are linkable up to 12 ft. Consult factory for made to order lengths.

RCYA3

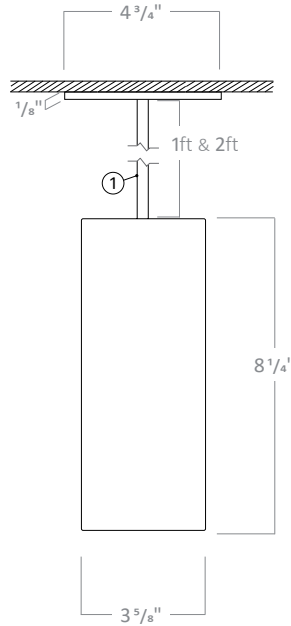
3" LED ARCHITECTURAL CYLINDER

ADJUSTABLE STEM PENDANT



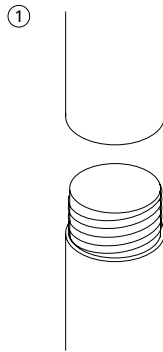
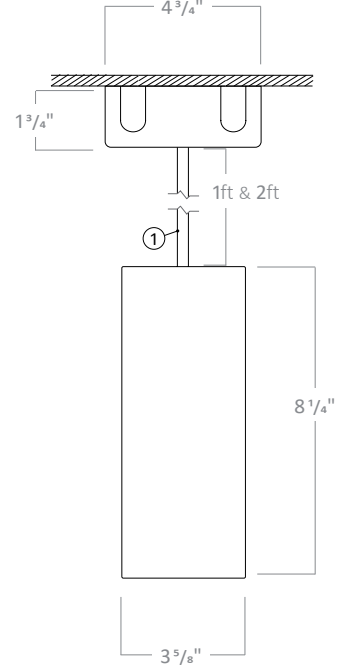
PH3SC1WADJ, PH3SC1BADJ,
PH3SC2WADJ, PH3SC2BADJ

Stem Pendant with
Shallow Canopy



PH3DC1WADJ, PH3DC1BADJ,
PH3DC2WADJ, PH3DC2BADJ

Stem Pendant with
Deep Canopy



1ft and 2ft stems are linkable up to 12ft.
Consult factory for made to order lengths.

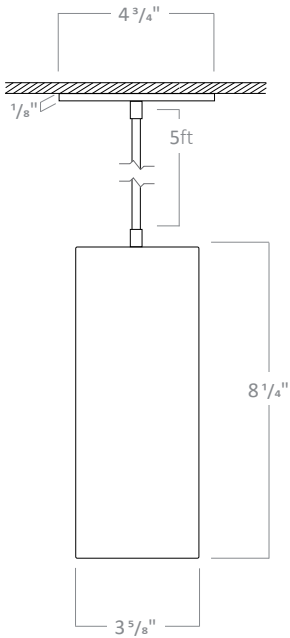
RCYA3

3" LED ARCHITECTURAL CYLINDER

CORD PENDANT

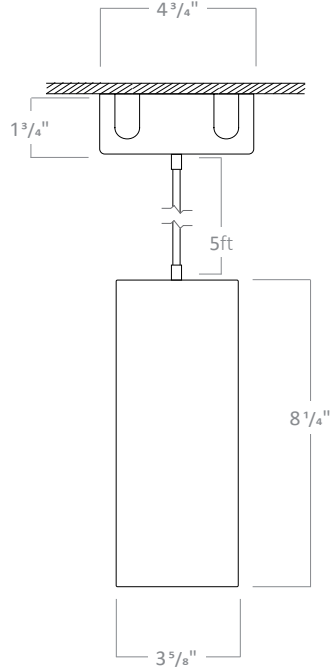
CP3SW, CP3SB

Cord Pendant with Shallow Canopy



CP3DW, CP3DB

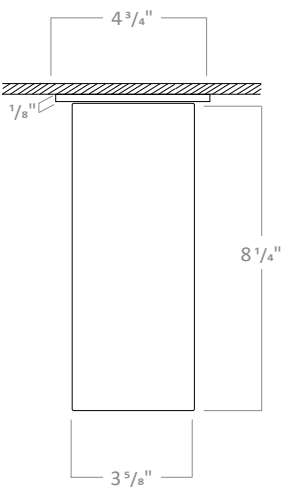
Cord Pendant with Deep Canopy



SURFACE MOUNT

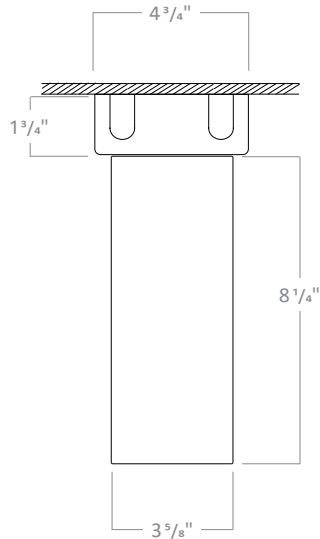
SM3SW, SM3SB

Surface Mount with Shallow Canopy



SM3DW, SM3DB

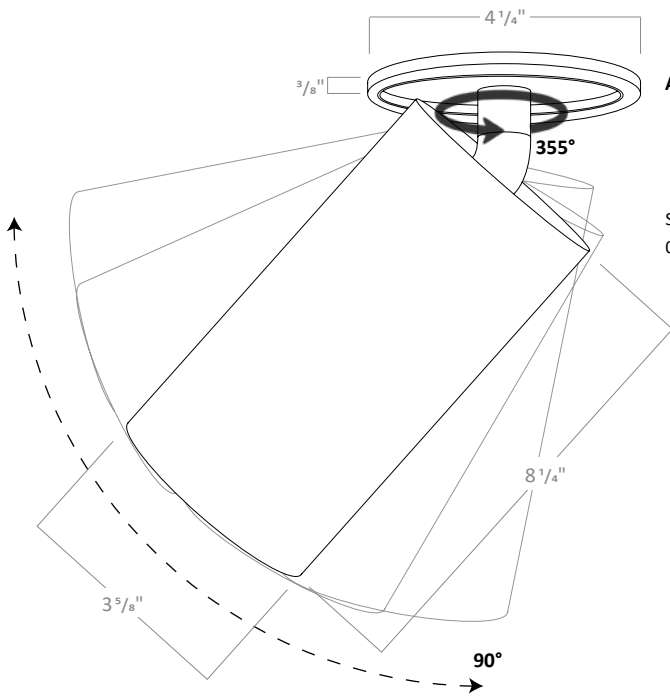
Surface Mount with Deep Canopy



RCYA3

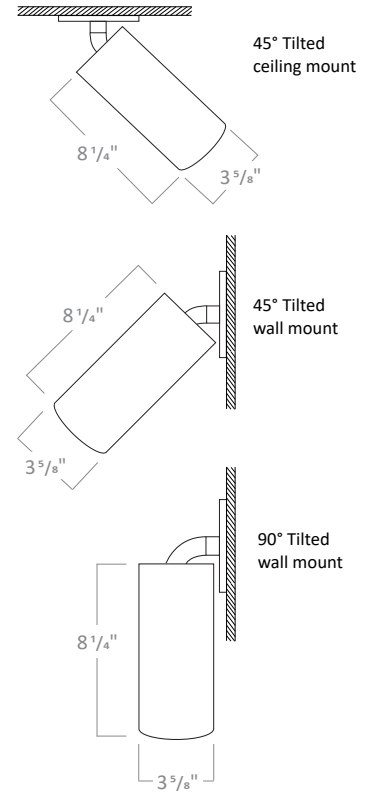
3" LED ARCHITECTURAL CYLINDER

ADJUSTABLE SURFACE MOUNT

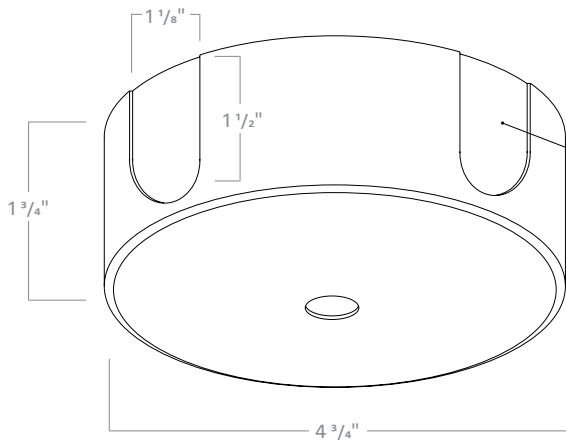


ASCW, ASCB

Supports 355° locking rotation
0-90° tilt adjustment



DEEP CANOPY FOR SURFACE, CORD, OR PENDANT MOUNT



Deep Canopy options come standard with 4 Knockouts installed. Accommodates a 4" octagonal junction box with 1-1/2" depth (provided by others).

Knockouts may be run from 4 sides

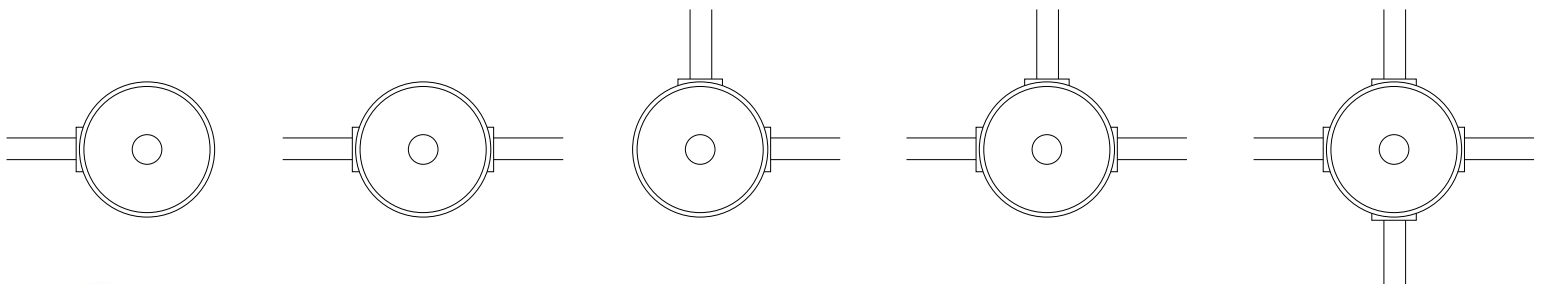
Single Conduit Mount

Double 180° Conduit Mount

Double 90° Conduit Mount

Triple 90° Conduit Mount

Quad 90° Conduit Mount



RCYA3

3" LED ARCHITECTURAL CYLINDER

8W EMERGENCY BATTERY

